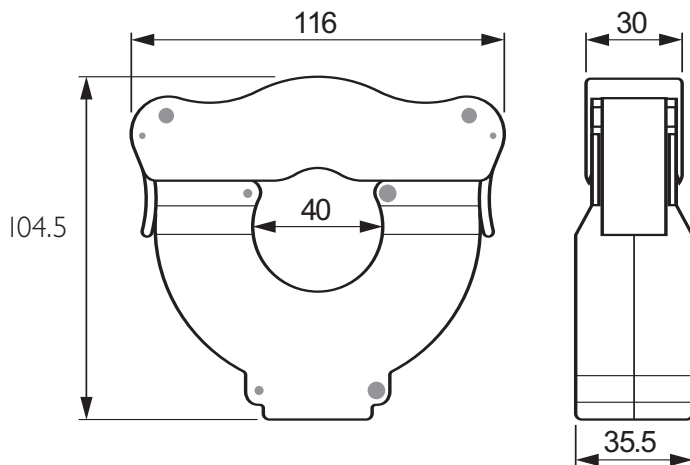




DIMENSIONS (mm)



DESCRIPTION

Split-core transformer, with a unique clip-together feature. Supplied in a moulded case with 1 metre flying leads. Suitable for primary ranges up to 800A with 5A secondary.

APPLICATION

For installation into existing networks without disconnecting cable circuits. The fast action clip function ensures a high speed permanent installation.



SPECIFICATIONS

- Conforms to IEC 185, BS7626, BSEN 60044-1 and IEC 60044-1.
- Rated system voltage 0.72/3kV.
- Ambient temperature range -30°C to 80°C.
- Frequency range 50-60Hz.
- Insulation level 3kV for 1 minute.
- Continuous current, 1.2 x rated current.
- Enclosure flame retardancy UL94VO.

RANGE

Primary Current	VA	CLASS
100A	1(2.5)	1(3)
150A	1.5(2.5)	1(3)
200A	2.5	1
250A	2.5	1
300A	2.5	1
400A	5	1
500A	5	1
600A	5	1
800A	5	1